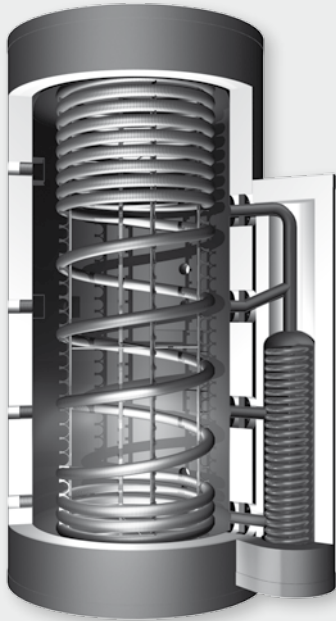


## PRODUCT DESCRIPTION



**PC – Pro-Clean stratified tank with spherical exchanger connection**  
 High-quality, multifunctional stratified tank made of steel (S 235 JR) for hot-water operation and domestic hot water preparation with a solar system. Stratified solar charging is via an external spherical exchanger. The tank has an integrated corrugated stainless steel pipe in which the water is heated using the hygienic continuous heating process. All necessary connections are at hand; includes 2x 2" sleeves for electric screw-in heating elements. The tank stands on a stand ring. The spherical exchanger and the polyester fibre fleece insulation must be ordered separately (compare Accessories).

### Area of use

Water heating and heating operation with a solar system for single-family and semi-detached houses or projects.

### Product benefits

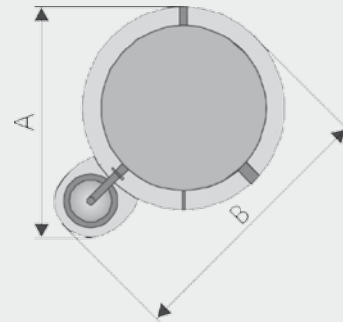
- Efficient use of solar energy for hot water and heating
- Simple functional concept without complicated technology or supplementary electrical energy (gravity circulation principle)
- Backup heating from all common systems possible
- Inflow absorbers prevent the layers in the tank from mixing – especially during heat pump operation
- Hygienic water heating due to a special corrugated stainless steel pipe<sup>1</sup> (DN 40, 1.4404)
- 5 temperature measuring points (sensor pockets) for each of three temperature sensors on the tank
- Access flange DN 200 from 1500 litres
- Prepared for use with 2 electric screw-in heating elements (photovoltaic feed-in)

### Standards, guidelines and regulations

- "Pressure Equipment Directive" 97/23/EC
- "Directive on the quality of water intended for human consumption" 98/83/EC
- Sized according to guideline AD-2000
- Welding as per EN 287-1 and EN ISO 3834-2

## SPECIFICATIONS

Max. operating temperature:	110°C
Max. tank operating pressure:	3 bar
Max. stainless steel pipe operating pressure:	6 bar
Boiler/heating connections	Rp 6/4" (partially with inflow absorber)
Domestic hot water connections	Rp 1"
Cylinder feed and drain cock connections	Rp ½"
Thermometer connection	Rp ½"



### Specifications

Type	PC 500	PC 800	PC 1000-B	PC 1000-S	PC 1250	PC 1500	PC 2000	PC 2500	PC 3000	PC 4000	PC 5000
Item no.	1610921	1610922	1610923	1610924	1610925	1610926	1610927	1610928	1610929	1610930	1610931
Nominal volume [l]	514	744	971	930	1246	1496	1889	2430	2910	3920	4950
Height without insulation [mm] <sup>2</sup>	1760	1910	1950	2120	2200	2190	2280	2170	2660	2290	2800
Height with insulation [mm] <sup>2</sup>	1860	2010	2050	2220	2300	2290	2380	2270	2760	2390	2900
Diameter without insulation [mm] <sup>2</sup>	650	750	850	790	900	1000	1100	1300	1250	1600	1600
Diameter with insulation [mm] <sup>2</sup>	850	950	1050	990	1100	1200	1300	1500	1470	1820	1820
Width A with insulation [mm] <sup>2</sup>	1020	1105	1180	1140	1235	1320	1400	1600	1540	1840	1840
Width B with insulation [mm] <sup>2</sup>	1175	1280	1380	1320	1440	1540	1640	1840	1800	2140	2140
Tilt height [mm] <sup>2</sup>	1800	1965	2020	2180	2270	2280	2380	2350	2780	2520	2945
Weight [kg]	130	150	163	168	250	290	340	430	460	650	740

1) For problem free maintenance of the corrugated stainless steel pipe (e.g. decalcification), when installing the tank, TiSUN recommends installation of flush connections with isolation valves at the hot water connections of the tank. Also, to protect the corrugated stainless steel pipe from excessive calcification, we recommend measures to stabilise or soften the water at tank temperatures of over 60 °C and water hardness of over 2.5 millimoles calcium carbonate per litre (= 14 °dH) (compare DIN 1988-200).

2) All size specifications have a tolerance range of +/- 3%